

# Memory Controllers

## Manual and automatic format alignment

### Display LCD two lines, interface RS485

**N 242**



N 242 - Automatic/manual format alignment

#### Features

- Memory controller for manual and automatic format alignment
- Display: LCD backlit, two lines alphanumeric, multilingual
- Programming and memory unit
- Memory for 100 formats with 32 positions each
- Interface RS485

#### Technical data - electrical ratings

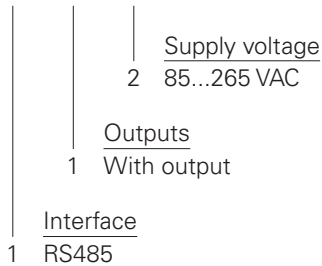
Supply voltage range	85...265 VAC (50/60 Hz)
Current consumption	<1000 mA
Reverse polarity protection	No
Sensor supply	24 VDC $\pm$ 10 % / <1 A
Display	LCD-TFT, 2-lines, backlit, alphanumeric
Function	User menu, multilingual Motive positioning Memory unit for 100 format profiles Programming of max. 32 SPA SPA zero point alignment Start position for target display N 155
Keylock	Secured by code
Control inputs	Shaft release Start positioning
control outputs	Shafts in position Start positioning
Outputs relay	Normally open or closed, programmable
Switching capacity relay	100 VA / 30 W
Switching current relay	1 A
Switching voltage relay	260 VAC
Interface	RS485 (ASCII protocol)
Data memory	>10 years in EEPROM
Programmable parameters	Language selection
Standard DIN EN 610101	Protection class II Overvoltage category II Pollution degree 2
Emitted interference	DIN EN 61000-6-4
Interference immunity	DIN EN 61000-6-2
Approval	UL/cUL

#### Technical data - mechanical design

Operating temperature	-10...+50 °C
Storing temperature	-20...+70 °C
Relative humidity	80 % non-condensing
Protection DIN EN 60529	IP 65 face with seal
E-connection	Screw terminal connector
Core cross-section	1.5 mm <sup>2</sup>
Operation / keypad	10 figure keypad with 8 function keys
Housing type	Housing for control panel installation
Dimensions W x H x L	144 x 144 x 116.5 mm
Cutout dimensions	125 x 125 mm
Installation depth	108 mm
Mounting	Front panel installation by clip frame
Weight approx.	600 g
Material	Polycarbonate black, UL 94V-0

#### Ordering part number

N 242. 1 1 2 AX 01



#### Description

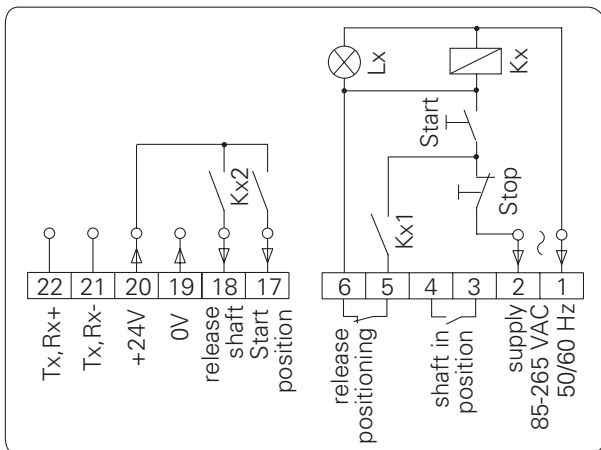
N 242 memory controller intended for front panel installation serves as memory and operating unit. By RS485 network up to 100 format profiles with several position values for maximum 32 spindles can be saved and recalled for retransmission to the SPAs (spindle position displays) respectively actuators (multiconDrive) upon pressing a button. The two-line SPA display indicates both actual value and target. Similar to the SPA display, the controller is giving information whether the spindles are "in position" or "not in position".

The keypad provides 10 figures and 8 function keys allowing easy parameter input and recall. multiconDrive provides an external start key for centralized release of positioning cycles. Programmable parameters enable perfect adaptation to the application.

Programmable parameters and functions:

- tolerance window, end position switch-off
- collective groups of 5 spindles each
- teach-in of target values
- spindle pitch and compensation
- measuring unit mm/inch
- multilingual

#### Connection diagram



#### Dimensions

