

Multi-Range Hour meter

HK 46 MULTI



Highlights

- One counter for all voltages and frequencies
- excellent quality
- long lifetime
- different bezels for different cut-outs
- many mounting versions
- all necessary approvals
- your branding available

Applications

- gen-sets
- compressors
- pumps
- medical equipment
- control panels
- air conditioning

Mechanical data

Front dimension:	48 x 48 mm
Display	6 integers, 1 decimal without reset
Digit height	4 mm
Digit color	integer: white on black decimal: red on black
Counting range	999999,9 h
Reading accuracy	1/10 h (6 min)
Weight	ca. 50 g
Housing color	standard black
Bezels	52x52 55x55 72x72 and Ø80 mm
Mounting options	A - aluminum clamp C - anti-vibration boot & clamp D - DIN rail F - snap fastener G - retainer

Electrical data

Operating voltage	12-240V ± 10%, 10-100Hz VAC 12-240V ± 10%,VDC
Current consumption	max. 10 mA
Accuracy	± 0,002 %
Connection	flat pin 6,3x0,8 with screw flat pin 6,3x0,8 screw terminal

Ambient conditions

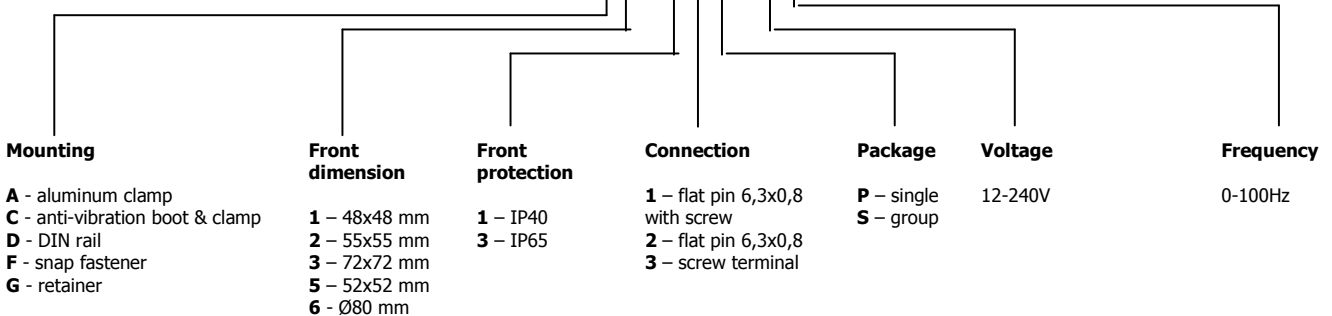
Operating temperature	-20° C .. +70° C
Storage temperature	-25° C .. +70° C
Relative humidity	max. 80% at +25° C
Protection	IP40 front IP65 front (on request) IP20 terminals

Approvals CE Mark

RoHS compliant

Ordering

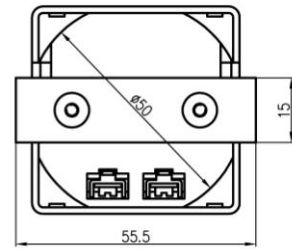
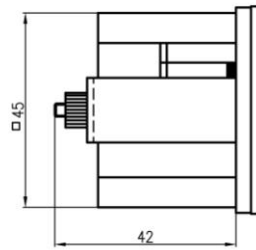
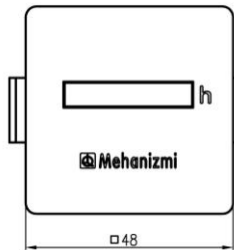
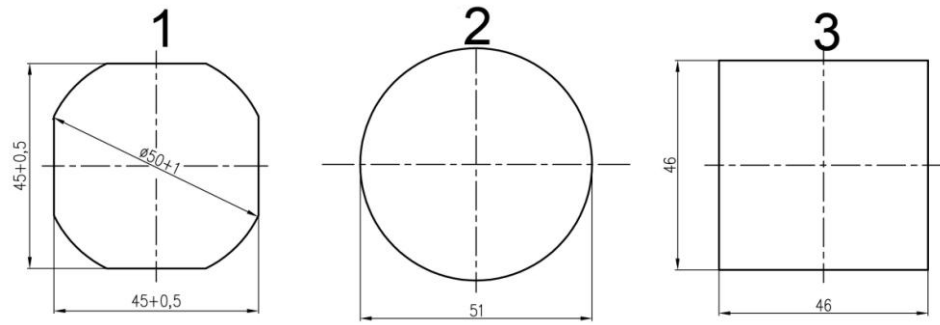
HK 46 . xx / xxx / xx



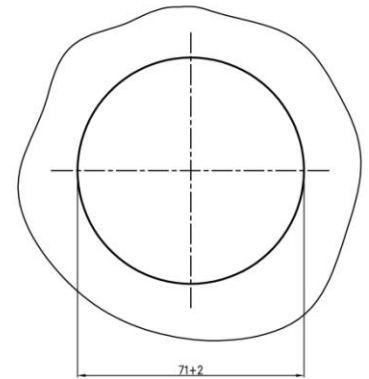
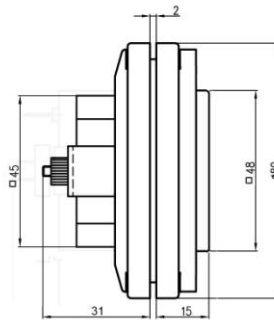
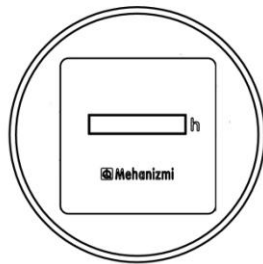
Multi-Range Hour meter

adparts

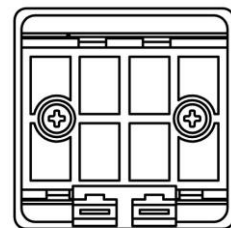
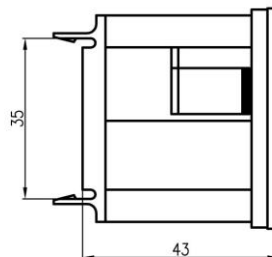
HK 46 Panel cut-outs



HK 46 – mounting A (panel cut-out 1 and 3)



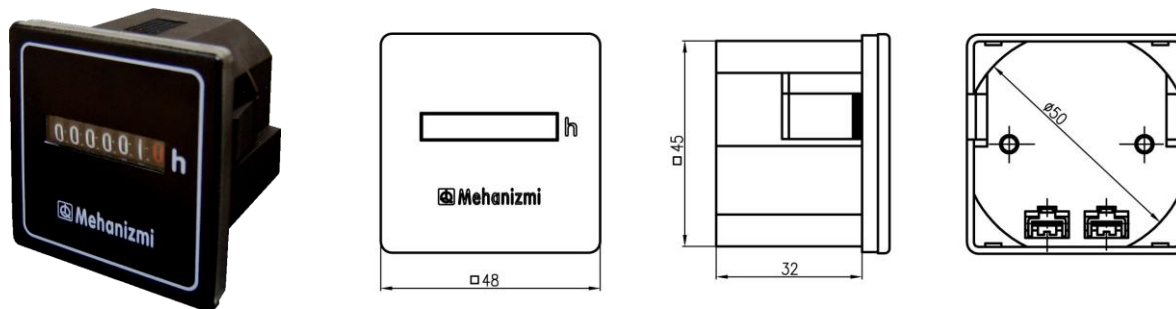
HK 46 – mounting C (panel cut-out $\Phi 71+2\text{mm}$)



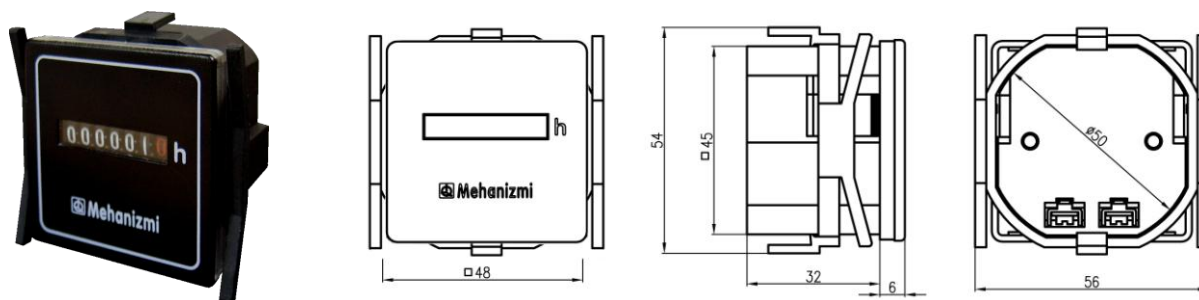
HK 46 – mounting D

Multi-Range Hour meter

adparts



HK 46 – mounting F (panel cut-out 1 and 3)



HK 46 – mounting G (panel cut-out 1 and 3)
